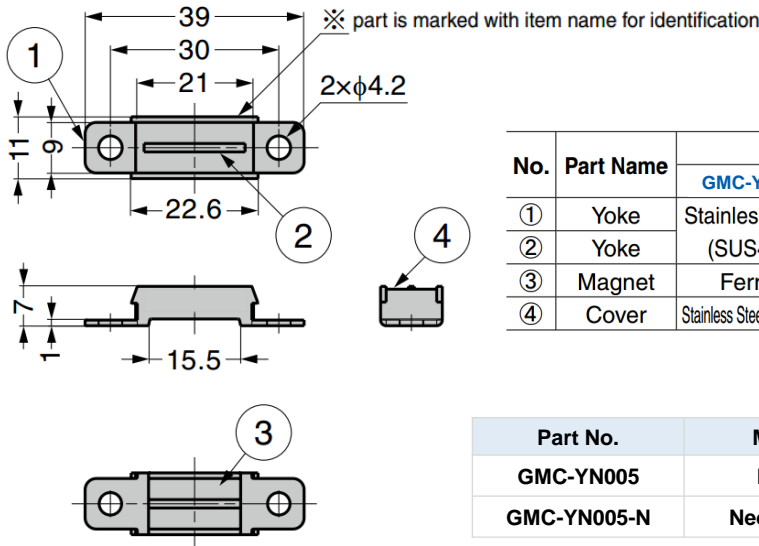


GMC-YN005 Magnetic Catch

Features

- Centre yoke
- Thin magnetic catch ideal for tight spaces, small body with strong magnetic force
- Stainless steel construction with excellent rust prevention
- Components and counter plate for aluminium frame installation available, contact Gripwell for assistance



No.	Part Name	Material		Finish	
		GMC-YN005	GMC-YN005-N	GMC-YN005	GMC-YN005-N
①	Yoke	Stainless Steel	Stainless Steel	Plain	Barrel Polished
②	Yoke	(SUS430)	(SUS430)		Barrel Polished
③	Magnet	Ferrite	Neodymium		Nickel
④	Cover	Stainless Steel (SUS304)	Stainless Steel (SUS304)		Plain

Part No.	Magnet	Magnetic Force	
GMC-YN005	Ferrite	29.4 N	3.0 kg
GMC-YN005-N	Neodymium	73.5 N	7.5 kg

GMC-YN005HP High Temperature Magnetic Catch

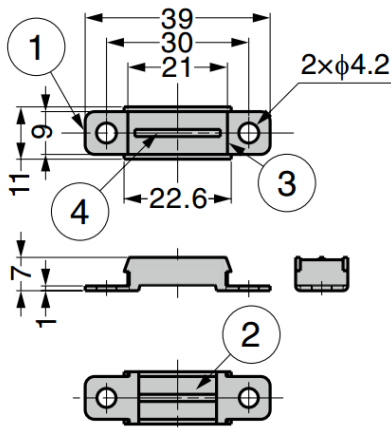
Features

- Suitable for high temperature environments up to 250°C.
- Centre yoke
- Thin magnetic catch ideal for tight spaces, small body with strong magnetic force
- Stainless steel construction with excellent rust prevention
- Components and counter plate for aluminium frame installation available, contact Gripwell for assistance



Sold Separately

- Counter plate **GMC-JM49**



No.	Part Name	Material	Finish
①	Yoke	Stainless Steel (SUS430)	Barrel Polished
②	Magnet	Samarium Cobalt	Plain
③	Cover	Stainless Steel (SUS304)	
④	Yoke	Stainless Steel (SUS430)	Barrel Polished

Part No.	Magnetic Force	
GMC-YN005HP-20	20 N	2.0 kg
GMC-YN005HP-50	50 N	5.1 kg